



# Operating Tables



# Fluent usability

Since 1901

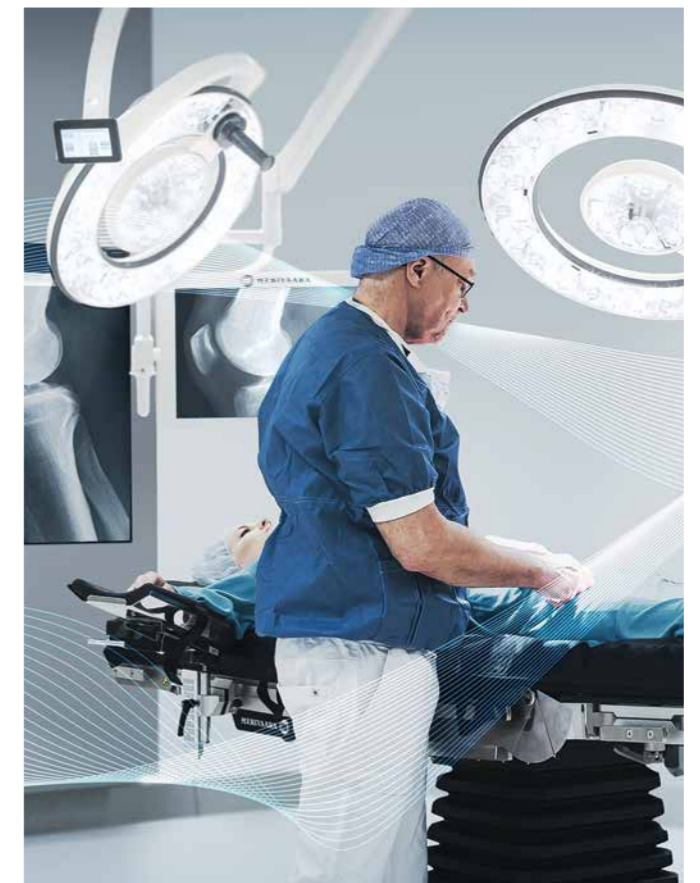
*“In addition to the exquisite quality of work, we have taken the utmost interest in the functionality of the equipment. In this regard, several doctors committed to the cause have contributed their advice, based on their valuable experience.”*

*Juho Merivaara in 1926, founder of Merivaara*



In a modern operating room from the 1950s tables and lights were manually adjusted.

**DESIGN<sup>®</sup>  
FROM  
FINLAND**

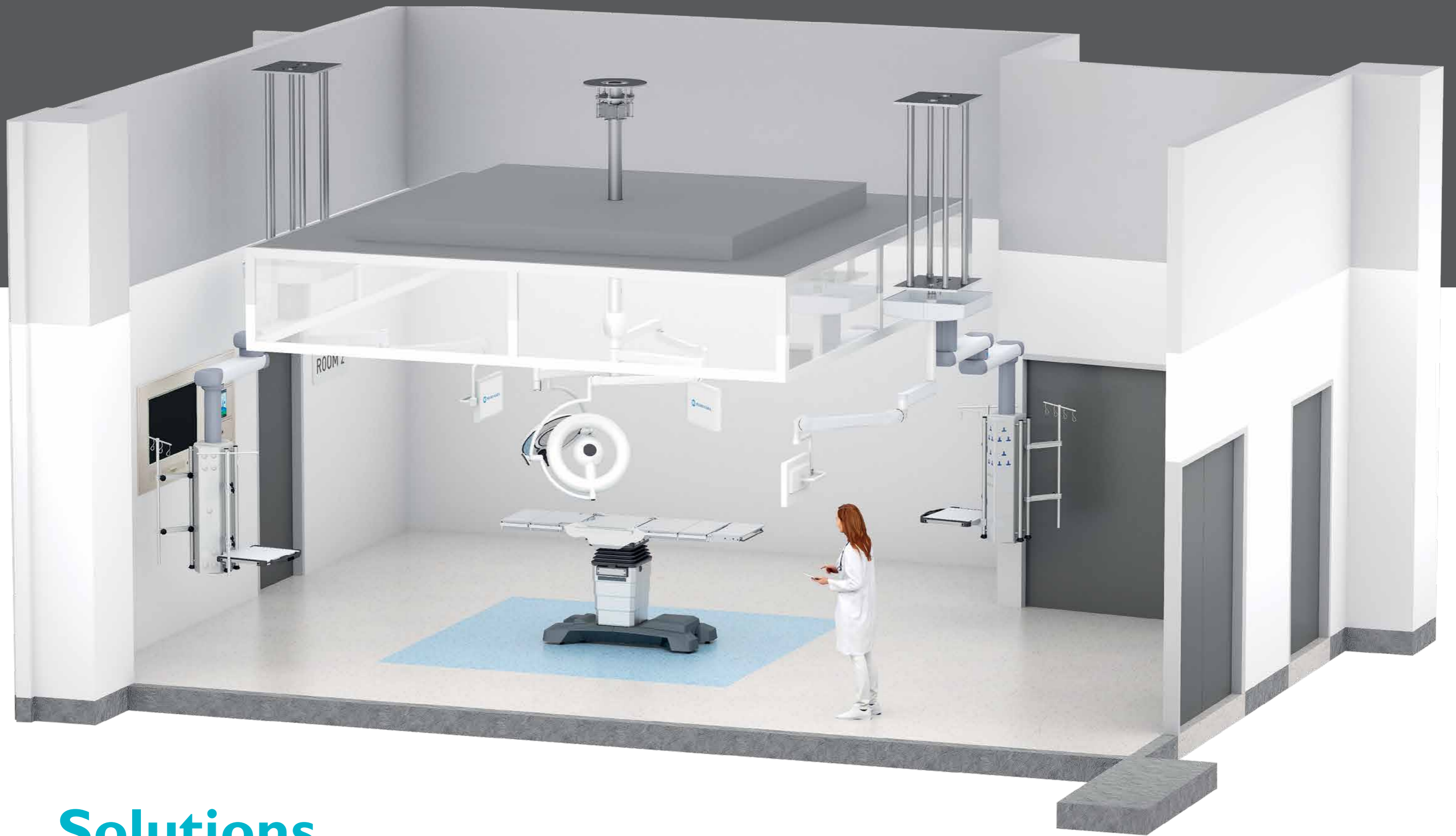


We are proud that the company's values 120 years ago were so ahead of their time that they can still today be fully applied when designing new innovative solutions for healthcare professionals. This is demonstrated by our latest award-winning products, the Q-Flow surgical light and the Smarter Practico operating table with functionality and ease of use at the heart of the design. Our user interfaces are developed together with hospital personnel so that all our products and systems can be used intuitively.

We call this Fluent Usability; operating room teams can focus on patient care, not for the management of complex technologies. Top surgeons appreciate this all over the world.







# Solutions

Merivaara Solutions offer operating rooms a wide range of high-quality products, systems and services. Our solutions not only guarantee patient safety, but also provide healthcare operators with the best value for money.

When designing our solutions around the entire surgical team, it is important for us to listen to the customer's needs. This allows us to ensure that the team can implement the procedures safely, quickly and reliably. At the same time, workflow is optimized and the productivity of the entire team will increase.

Merivaara has long experience from leading and implementing projects in operating rooms. For us, keeping projects to schedule and reducing costs is extremely important.

- SURGICAL LIGHTS • EXAMINATION LIGHTS
- OPERATING TABLES • TABLE ACCESSORIES
- INTEGRATION SYSTEMS • MONITORS & MONITOR ARMS
- PENDANTS • PROJECTS • MERIVAARA SERVICES

# Grand Promerix for demanding workflow



Powerful and smooth Grand Promerix is a heavy-duty, yet versatile operating table for all kind of surgical procedures. Re-thought details help you to work more fluently. Excellent for bariatric surgeries.

## Highlights

Improved ergonomic design improves the comfort of the whole surgical team. Comfort leads to concentration, confidence and better co-operation. That's efficiency.



# Benefits of the Grand Promerix



**1. IMPROVED ERGONOMICS**  
Grand Promerix has lots of improved details for better ergonomics, for example, hidden, smaller castors and a curved cutout for increased foot space. Human-centric design at its best.



**2. C-ARM ACCESS**  
The renewed slim base gives you perfect C-arm access. The Grand Promerix is designed to meet the highest standards in the operating room.



**3. INCREASED HYGIENE**  
Details redesigned with patient safety in mind. New bellows & seat section, among other improvements, make Grand Promerix hygienic and easy to clean.



**4. FLUENT LOCK™**  
Our Fluent locking system is both user-friendly and reliable. Connect with one click.



# TRAUMA ORTHOPEDICS

Grand Promerix for trauma orthopedics is the flexible solution for any operating room performing orthopedic procedures. With the FLEXION orthopedic extension device patient positioning has never been so easy. Full C-arm access.



1.



3.



2.

“ Setting up Flexion is as easy as one, two, three...”



## APPLICATION EXAMPLES:

- Hip arthroscopy
- Total hip replacement
- Lower extremity procedures: tibia nailing, femur nailing
- Hand surgery

# ORTHOPEDIC SHOULDER SURGERY

The flexible solution for any operating room performing arthroscopic procedures. Thanks to the large back section cutout, the shoulder operations are always ergonomic for the surgeon and the patient. The back section cutout is big enough for a full view of the upper back and to move the patient's arm. On the other hand, it gives a proper support for the patient.



**LARGE BACK SECTION CUTOUT** allows shoulder and arm movements during operation.



**BACK SECTION CUTOUT** can be released easily and quickly.

## APPLICATION EXAMPLES:

- Rotator Cuff repair
- Bankart repair
- Slap Lesion repair
- Total Shoulder replacement
- Clavicle repair
- Reverse Total Shoulder replacement



**PROGRAMMABLE MEMORY POSITIONS** allows you to go back to original surgery position after the table has been zeroed for imaging.

## SPECIAL ACCESSORIES

### FEMORAL COUNTER TRACTION POST 519512

Femoral counter traction post for lateral position with height adjustment with Flexion.



### SPECIAL ROTEXSHOE® TRACTION BOOTS

Stability and flexibility are not always mutually exclusive, but rather properties which are of major importance, particularly in the medical field. They guarantee safe and individual patient treatment, and expand surgical possibilities. The Special RotexShoe Traction boots offer all of that, and easy handling makes your work easier.



## SPECIAL ACCESSORIES

### BEACH CHAIR SUPPORT BELT 20127

To support the patient in Beach Chair during operation.



### BEACH CHAIR HELMET HEAD REST 30128

Multi directional helmet with forehead strap, to be used for the shoulder operations with Beach Chair back rest.



# GYNECOLOGY AND UROLOGY

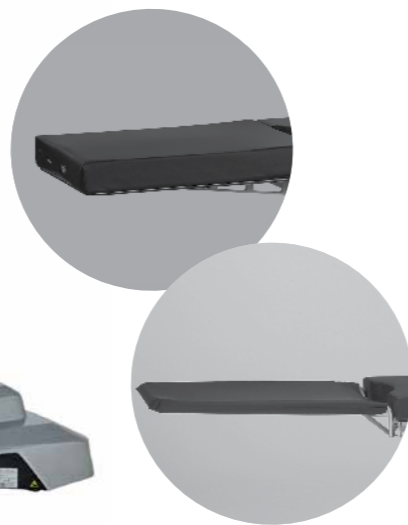
Grand Promerix for gynecology and urology is the flexible solution for any operating room performing gynecological and urological procedures. The high SWL, sliding function and great C-arm access make fluoroscopy of the pelvic area possible.



### GREAT ACCESS FOR THE SURGEON AND ANESTHETIST

Due to the new redesigned frame structure and well-designed table adjustments, surgeon and anesthetist get close access to the patient.

### TWO LIGHTWEIGHT SECTIONS AVAILABLE



### APPLICATION EXAMPLES:

- Endometriosis surgery
- Surgery for depression of uterus and vaginal walls
- Uterine scraping
- Treatment of uterine muscle tumors (myoma treatment)
- Hysterectomy
- Hydronephrosis
- Prostate laser surgery
- Scrotum surgery
- Seed Removal (Sperm)
- Bladder Vision (Cystoscopy)

## SPECIAL ACCESSORIES



### K-TEK STIRRUPS

Provides unparalleled pelvic site access, larger boot sizing and better infection control. Available for pediatric, adult, and bariatric.



### LIGHT MOTORIZED LEG SECTION 60204

Light leg section improves work ergonomics of the OR personnel. It is very light and easy to handle. The lightweight leg section attaches to the operating table with the Fluent locking mechanism removing the need to lean over the lightweight section when attaching and removing.

# NEURO SURGERY

Grand Promerix is a flexible solution for all neurological operating rooms performing delicate procedures. Thanks to the safe and fluent design, it is ergonomically designed for the patient and surgical team. The fluent design creates an environment for optimum imaging. The attachment of multiple neurological accessories is made easy due to Merivaara Fluent lock™ system.



### SAFE AND EASY POSITIONING

Different surgical accessories can be used for neuro and spine surgery with Grand Promerix. Reverse positioning is possible for different needs.

### HEAD REST ADAPTER 60146

Compatible with all Doro neurological products. Can easily be mounted to both Grand Promerix and Smarter Practico.

### APPLICATION EXAMPLES:

- Laminectomy
- Discectomy
- Spinal Fusion
- Vertebroplasty / Kyphoplasty



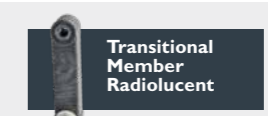
## SPECIAL ACCESSORIES



DORO ALUMINIUM HEAD REST SYSTEM



DORO CERVICAL SPINE HEAD-REST SYSTEM



DORO CERVICAL SPINE HEAD-REST SYSTEM



DORO CRANIAL SPINE HEADREST SYSTEM



# SPINAL SURGERY

Grand Promerix is a flexible solution for all surgical operating rooms when performing spinal surgical procedures thanks to its safe and fluent design. It is ergonomically designed for the patient and surgical team. The fluent design creates an environment for optimum imaging. Attachment of carbon fiber sections is made easy due to our Fluent lock system.

## STABLE PLATFORMS FOR BOTH NEUTRAL AND FLEXED POSITIONS

Perfect solutions for example for cervical, lumbar, laminectomies, decompressions, thoracic surgical spinal prone procedures.



Wilson Frame



Spinal Floating System



### APPLICATION EXAMPLES:

- Laminectomy
- Discectomy
- Spinal Fusion
- Vertebroplasty / Kyphoplasty

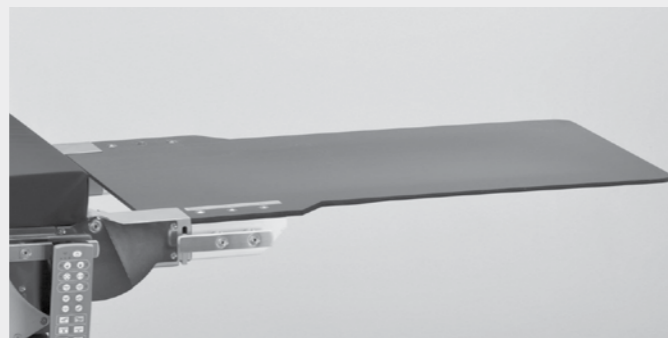
## SPECIAL ACCESSORIES



CS PRONE HEAD SUPPORT SYSTEM



CS PRONE FACE CUSHION



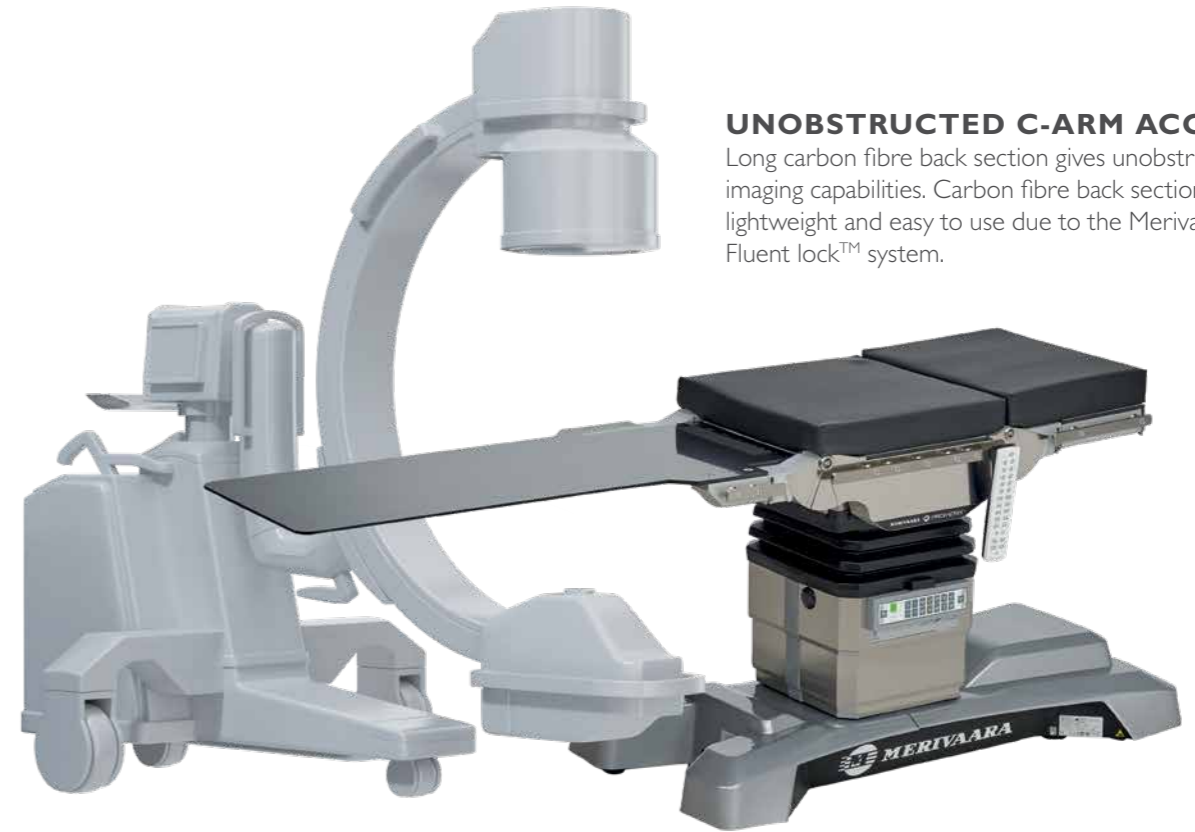
CF-BACKREST 60502

# THORACIC AND CARDIOVASCULAR SURGERY

Grand Promerix for Thoracic and Cardiovascular Surgery is the flexible solution for any operating room performing cardiovascular procedures. The long carbon fibre back section ensures high quality imaging.

## UNOBSTRUCTED C-ARM ACCESS

Long carbon fibre back section gives unobstructed imaging capabilities. Carbon fibre back section is lightweight and easy to use due to the Merivaara Fluent lock™ system.



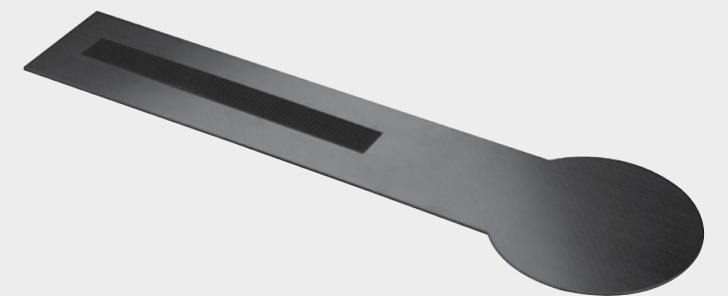
### APPLICATION EXAMPLES:

- Angioplasty
- Heart valve surgery
- Catheter ablation
- Stent placement

## SPECIAL ACCESSORIES



HEAD REST 60142



HIGH PRESSURE LAMINATE (HPL) ARM REST 60510

# PROCTOLOGY

The specialized accessories allows for the safe positioning of the patient, while also creating the access required for both the surgeon and the scrub nurse.



# PEDIATRIC SURGERY

The tabletop is specially designed for pediatric use and gives close access for the surgeon when operating on small patients. This enhances the ergonomics of the operating room team. It also offers excellent C-arm access without obstruction of a support leg.



## APPLICATION EXAMPLES:

- Colectomy
- Ileostomy
- Strictureplasty
- Hemorrhoidectomy

“Wide range of accessories for various applications in our Accessory Catalog.”

## CLOSE ACCESS FOR PEDIATRIC OPERATIONS

The pediatric section is designed for children's surgery. The table top is narrower than other sections enabling surgeons and the health care team to get closer to the patient. Max patient weight is 40 kg. Includes 80 mm thick antistatic and viscoelastic mattress.



## SPECIAL ACCESSORIES



**ARM REST 19185**

### K-TEK STIRRUPS

Provides unparalleled pelvic site access, larger boot sizing and better infection control. Available for pediatric, adult and bariatric.



## SPECIAL ACCESSORIES

**K-TEK 250 STIRRUP PAIR 12814**





# KIDNEY SURGERY

Grand Promerix for kidney surgery is the simple and flexible solution for operating rooms. Integrated kidney-bridge elevator system helps to adjust the patient to the desired position with ease.



## SPECIAL KIDNEY-BRIDGE INTEGRATED TO FIXED BACK-SECTION

Special kidney-bridge back section is easy to use with a crank handle.



## MULTIFUNCTIONAL TABLE TOP

The table top can be configured to suit all surgical applications.

## SAFE AND EASY POSITIONING

Flex, reverse flex and beach chair can be easily achieved thanks to their individual dedicated buttons on the hand control.

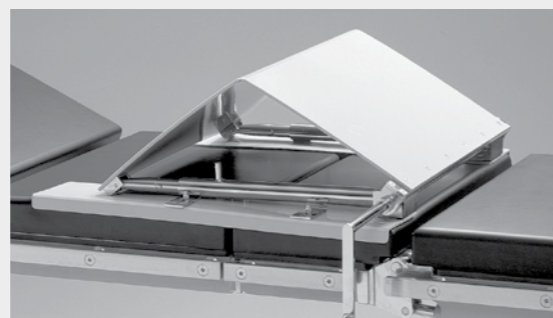
### APPLICATION EXAMPLES:

- Lung cancer surgery
- Lung volume reduction surgery
- Oesophageal surgery
- Partial nephrectomy or nephron-sparing surgery
- Percutaneous nephrolithotomy / nephrolithotripsy (tunnel surgery)

## SPECIAL ACCESSORIES



**KIDNEY AND THORAX HEAD REST 60147**



**BACK AND KIDNEY ELEVATOR 19280**

# BARIATRIC SURGERY

The flexible solution for any operating room performing MIS procedures. With its high SWL, sliding-function, and versatile positioning, Grand Promerix is a safe and ergonomic solution for both the patient and the surgical team.



## EASY ACCESSIBILITY

The fluent articulation of Grand Promerix ensures optimal ergonomic solutions.



## LOW PATIENT POSITIONING

It is essential in today's operating room that the equipment can adapt to any situation. With the lowest height of 30 cm, the Promerix is the perfect solution for bariatric gastro surgery.

### APPLICATION EXAMPLES:

- Bariatric surgery
- Laparoscopy
- Hernia surgery
- Tumour surgery
- Laparotomy

## SPECIAL ACCESSORIES



## K-TEK STIRRUPS

Provides unparalleled pelvic site access, larger boot sizing and better infection control. Available for pediatric, adult and bariatric.



**DIVIDED LEG SECTION 60484**

# Customized solutions for different kinds of surgical operations

Lower leg sections (require 60225 or 60425)



Upper leg sections (attach to the seat section)



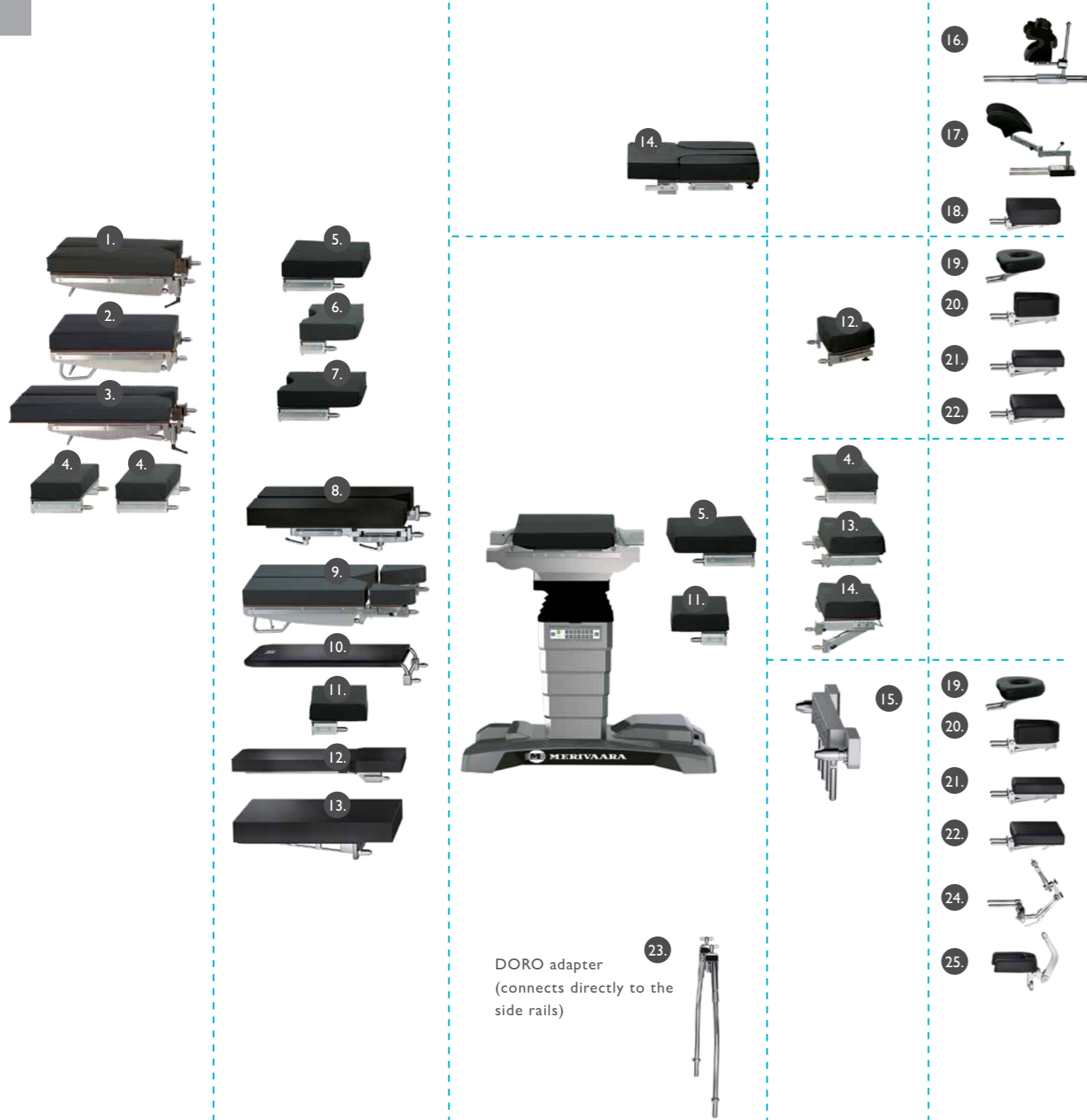
Lower back sections (attach to the seat section)



Upper back sections, adapters and Fluent lock head rests



Head rests



DORO adapter (connects directly to the side rails) **23.**

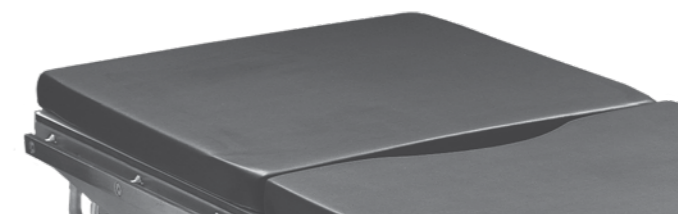
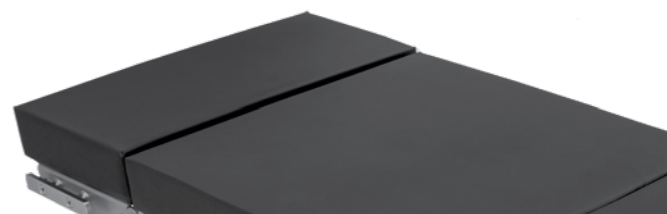
No.	Order No.	Name	Dimensions	Weight
1.	1000 30248	Short Divided Leg Plates, gas spring assisted		
2.	1000 30147	One piece leg section, gas spring assisted		
3.	1000 60475	Long Divided Leg Section, gas spring assisted	594 x 880 x 260 mm	
4.	1000 60250	25-Section	540 x 250 x 80 mm	7,6 kg
5.	1000 60240	40-section	540 x 400 x 80 mm	9,1 kg
6.	1000 60425	25 gyn section	540 x 250 x 80 mm	5,3 kg
7.	1000 60440	40 gyn-section	540 x 400 x 80 mm	8,9 kg
8.	1000 145480	Short Divided Leg Section Double joint		7,5 kg
9.	1000 60484	Divided Leg Plates, 4 Sections	540 x 865 x 230 mm	25 kg
10.	1000 60201	Light foot rest 60201	500 x 900 mm	5,2 kg
11.	1000 60225	25 Short-section	540 x 250 x 80 mm	5,4 kg
12.	1000 60502	CF-backrest 60502	1200 x 540 mm	
13.	1000 60204	Light leg section for motorized legs 60204	540 x 630 x 80 mm	4,9 kg
14.	100060525	Beach Chair Back Rest	540 x 650 x 80 mm	19,6 kg
12.	100060325	ENT Upper-Back Section 60325		
13.	1000 60140	Head rest 60140	540 x 300 x 80 mm	6,3 kg
14.	1000 60142	Head rest 60142	540 x 300 x 80 mm	6,4 kg
15.	1000 60146	Head rest adapter 60146		2,5 kg
16.	1000 30128	Beach chair helmet head rest 30128		4,3 kg
17.	1000 30126	Beach chair head rest 30126		4,6 kg
18.	1000 18101	Head rest 18101	300 x 408 x 80 mm	4,1 kg
19.	1000 18150 1000 18151	Head rest for ent/ophtalmology 18150 or 18151	225 x 290 x 60 mm	2,8-3,25 kg
20.	1000 18143	ENT-surgery head rest 18143	245 x 242 x 40 mm	3,4 kg
21.	1000 00142	Narrow headrest 142	275 x 206 x 50 mm	4,1 kg
22.	1000 00141	Wide headrest 141	275 x 406 x 50 mm	4,5 kg
23.	1003 00700	DORO adapter		
24.	1010 01100	DORO Aluminium Head Rest System		
25.	1003 00900	DORO Horseshoe Head rest		

We offer two types of mattresses:

Visco-elastic foam (VEF) with premium patient comfort against decubitus ulcers. Surface material is ultrasonically welded to prevent fluid penetration.



Integral skin (IS) mattresses are carefree solutions for demanding environment.





**MAXIMUM HEIGHT (\*)**



1110 MM

**MINIMUM HEIGHT (\*\*)**



610 MM

**MOTORIZED LEG AND BACK SECTIONS**



**TILT ANGLE**



±25°  
±20° (\*\*)

**TRENDELBURG ANGLE**



±35°

**SLIDE LEG  
210 MM**



**SLIDE HEAD  
200 MM**



(\* SLIDE MODEL    (\*\* NON-SLIDING MODEL)

# Technical Specifications

	Sliding	Non-sliding
Length (table top)	2100 mm	2100 mm
Width (table top)	540 mm	540 mm
Width (base)	652 mm	652 mm
Height adjustment	650–1110 mm	610–1070 mm
Max. patient weight	275 kg	325 kg
Safe working load (SWL)	275 kg	325 kg
Trendelenburg	-35°	-35°
Reverse Trendelenburg	+35°	+35°
Head rest adjustment	-45 – +45°	-45 – +45°
Back section adjustment	-45 – +80°	-45 – +80°
Leg section adjustment	-105 – +70°	-95 – +70°
Castors size	80 mm	80 mm
Frequency	47–63 Hz	47–63 Hz
Input voltage	100–240 VAC	100–240 VAC
Weight	325 kg	300 kg
Longitudinal shift of the table top	410 mm	
Lateral tilt	-25 – +25°	20 – 20°
Lower frame length	1317 mm	1317 mm
Floor clearance	25 mm	25 mm
Max. lifting capacity	490 kg	490 kg
Product Code	100060000	100060000
Official product name: Promerix		

Manufacturer: Merivaara Corp.







Health Technology with a Human Touch

Made in Finland with respect  
for our unique nature.



#### MERIVAARA CORP.

Lahti, Finland, Tel. +358 3 3394 611,  
[merivaara@merivaara.com](mailto:merivaara@merivaara.com) [www.merivaara.com](http://www.merivaara.com)

#### MERIVAARA WORLDWIDE

Merivaara's headquarters, with R&D, production, sales, marketing and after-sales service functions, are located in Lahti, Finland. Merivaara has subsidiaries in Sweden (Merivaara AB), UK (Merivaara Ltd) and a sales organisation in Russia. Additionally, Merivaara's products are sold in more than 120 countries by a network of distributors.

The status of the information, specifications and illustrations in this publication is indicated by the date of publication. Whilst

the greatest care has been taken over its compilation, Merivaara Corp. is not responsible for any errors or omissions. Merivaara Corp. reserves the right to make changes to the technology, features, specifications and design of the equipment and models without notice. Please check the Merivaara website for the latest updated specifications and other information.

Note: All illustrated patient positions are only examples and different kind of procedures can be made based on personal or cultural needs. Proper patient positioning needs to be made by trained professional.

All trademarks are Merivaara property unless otherwise stated. Patents granted or pending.

©Merivaara Corp. DOC ID: 6172EN-2, Date: 11/2023